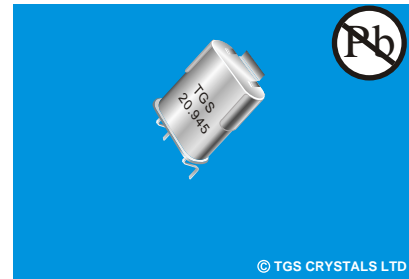


FEATURES

- Wide Frequency Range
- Resistance Weld
- SMD With Metal Jacket
- Tight Tolerance and Stability over Temperature
- Lead Free available
- Offer Fitted Insulators and 3 Pins

APPLICATIONS

- Pagers
- Communications
- Telemetry
- Automotive Electronics



SPECIFICATION *

Parameters	Product		Option Code	
	UM-1-SM	UM-5-SM	CAM	CBM
Frequency Range:	6.00~200.0MHz		△	Specify
Oscillation Mode:	AT Fund. (6~40MHz)		△	A
	BT Fund. (25~40MHz)		△	B
	3rd OT (25~100MHz)		△	C
	5th OT (80~155MHz)		△	D
	7th OT (120~200MHz)		△	E
Frequency Tolerance:	±5ppm		△	5
	±7.5ppm		△	7.5
	±10ppm		△	10
	±20ppm		△	20
	±30ppm		▲	30
	±50ppm		△	50
Other Values		△	Specify	
Load Capacitance:	12pF		△	12
	16pF		△	16
	20pF		▲	20
	30pF		△	30
	Series Resonant		△	S
	Other Values		△	Specify
Frequency Stability:	±5ppm		△	5
	±7.5ppm		△	7.5
	±10ppm		△	10
	±20ppm		△	20
	±30ppm		▲	30
	±50ppm		△	50
Other Values		△	Specify	
Operating Temp. Range:	0°C~+50°C		△	0
	-10°C~+60°C		▲	10
	-20°C~+70°C		△	20
	-40°C~+85°C		△	40
	Other Values		△	Specify
Storage Temp. Range:	-40°C~+85°C		▲	
Equivalent Series Resistance (ESR):	See Table 1		△	Specify
Drive Level:	1000 uW Max.		▲	
Shunt Capacitance (C 0):	7.0 pF Max.		▲	
Aging:	±5ppm Max.		▲	
Package:	Bulk		△	B
	Tape/Reel		△	T
Other Values:	3 pins		△	3
	Fitted Insulating Washer		△	W
	Lead Free		△	LF

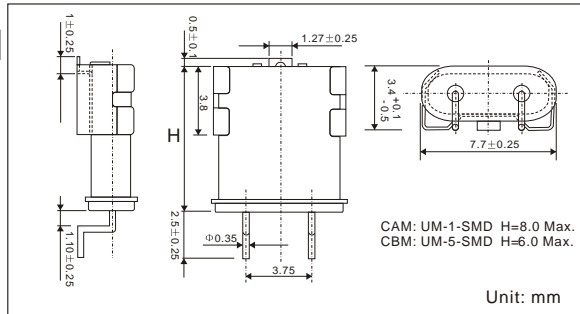
▲ Standard * Specifications Subject to Change Without Notice
 △ Optional: please specify required code when inquiring or ordering

PARTNUMBER GUIDE

TGS	C	AM	10M0	A	50	- 20	- 50	-10	- 50	- T	W
Mark	Quartz Crystals	AM:UM-1-SMD H=8.0mm BM:UM-5-SMD H=6.0mm	Freq. Range	Oscillation Mode	Freq. Tolerance	Load Capacitance	Freq. Stability	Operating Temp. Range	ESR	Package	Other Values

e.g. Full P/N.: TGS CAM 10M0A50-20-50-10-50T W
 Short P/N.: CAM 10M0A20T W (Others is standard Spec.)

DIMENSIONS



ESR VALUES

Table 1

Frequency Range (MHz)	ESR Max (ohm)	Frequency Range (MHz)	ESR Max (ohm)
6.0000~6.99900	120	20.0000~23.9990	30
7.0000~9.99900	100	24.0000~34.9990	100
10.0000~13.9990	50	35.0000~99.999	80
14.0000~19.9990	40	100.0000~200.000	150

PACKAGE

- Standard package in T/R: 1000pcs/Reel, 2 Reel/ box, 5 box/carton, See page 86 for detail dimensions

