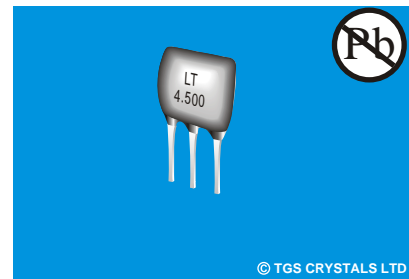


FEATURES

- Low cost
- Ex-stock Available
- Lead Free available

APPLICATIONS

- TV/VCR



© TGS CRYSTALS LTD

SPECIFICATION FOR CFA*

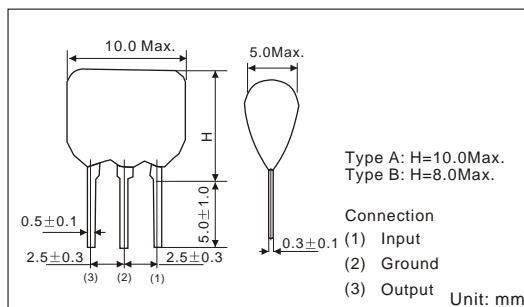
Part number	Nominal Center Frequency (fn)(MHz)	3dB Band Width (kHz)min	20dB Band Width (kHz)max	Insertion Loss (dB) max	Spurious Attenuation (dB)min	Input/Output Impedance(Ω)
CFA4.5MB	4.500	$fn \pm 50$	530	6.0	20(4.5 ^{+0.8} _{-1.0} Mhz)	1000
CFA5.5MB	5.500	$fn \pm 75$	550	6.0	25(5.5 \pm 1Mhz)	600
CFA6.0MB	6.000	$fn \pm 80$	600	6.0	25(6.0 \pm 1Mhz)	470
CFA6.5MB	6.500	$fn \pm 80$	630	6.0	30(6.5-1 Mhz) 25(6.5+1 Mhz)	470

SPECIFICATION FOR CFB*

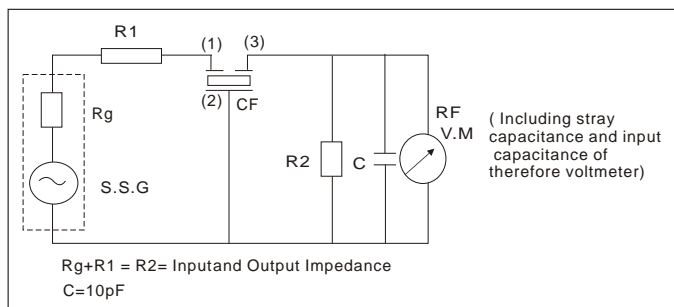
Part number	Nominal Center Frequency (fn)(MHz)	3dB Band Width (kHz)min	20dB Band Width (kHz)max	Insertion Loss (dB) max	Spurious Attenuation (dB)min	Input/Output Impedance(Ω)
CFB4.5MCB	4.500	$fn \pm 60$	660	6.0	30(0~fn)	1000
CFB4.5MDB	4.500	$fn \pm 70$	750	6.0	30(0~fn)	1000
CFB5.5MCB	5.500	$fn \pm 60$	600	6.0	30(0~fn)	600
CFB5.5MDB	5.500	$fn \pm 80$	750	6.0	30(0~fn)	600
CFB6.0MCB	6.000	$fn \pm 60$	600	6.0	30(0~fn)	470
CFB6.0MDB	6.000	$fn \pm 80$	750	6.0	30(0~fn)	470
CFB6.5MCB	6.500	$fn \pm 70$	650	6.0	30(0~fn)	470
CFB6.5MDB	6.500	$fn \pm 80$	800	6.0	30(0~fn)	470

* Specifications Subject to Change Without Notice

DIMENSION



TEST CIRCUIT



PACKAGE

- Standard package in bulk: 500pcs/bag, 10 bags/inner box, 10 box/carton
- Available on T/R & AMNO-Pack - 2000pcs per reel. See page 93 for detail dimensions

PART NUMBER GUIDE

TGS	CF	A	4.5M	B	B	LF
Mark	Ceramic Filter	A: Type A B: Type B	Frequency Range	Grade	Package in bulk	Lead Free

e.g. Full P/N.: TGS CFA4.5M B B LF