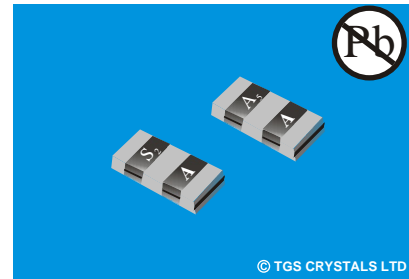


**FEATURES**

- Small High Performance ● Small Size 7.1X3.3X1.5mm ● Lead Free available
- Very Thin (1.5mm) SMD Devices Consisting of 2 Ceramic Elements

**APPLICATIONS**

- Communications ● Consumer Electronics

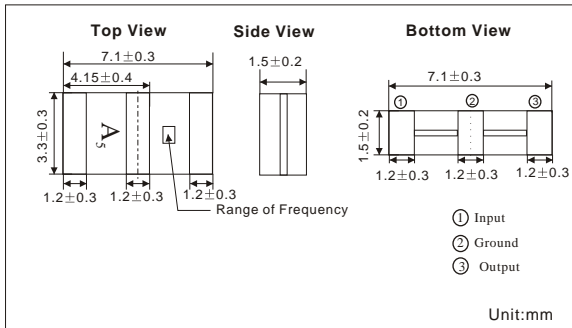


**SPECIFICATION \***

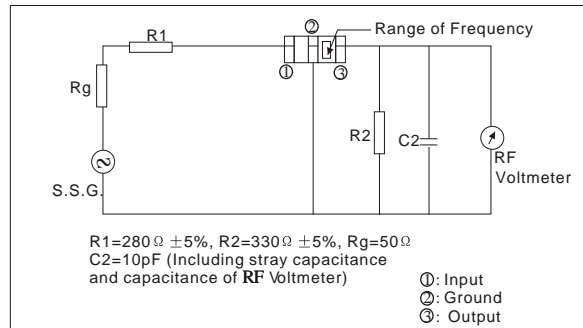
Part Number	3dB Bandwidth (KHz Min)	20dB Bandwidth (KHz Max.)	Insertion Loss (dB Max.)	Spurious Attenuation (9MHz~12MHz) (dB Min)	Input/Output Impedance	Package
CFMA10.7M A5	280±50	650	6.0	30	330 Ω	Tape/Reel
CFMA10.7M S2	230±50	600	6.0	30	330 Ω	
CFMB10.7M A5	280±50	590	3.0±2.0	35	330 Ω	
CFMB10.7M S2	230±50	510	3.5±2.0	35	330 Ω	
CFMB10.7M S3	180±40	470	4.0±2.0	35	330 Ω	

\* Specifications Subject to Change Without Notice

**DIMENSIONS**



**TEST CIRCUIT**



**PACKAGE**

- Standard package in T/R: 2000pcs/Reel, 2 Reel/ box, 5 box/carton. See page 93 for detail dimensions

**PART NUMBER GUIDE**

TGS	CF	M	A	10.7M	A5	T	LF
Mark	Ceramic Filters	SMD Type 7.1X3.3X1.5mm	A: Type A B: Type B	Centre Freq.	Grade	Package	Lead Free

e.g. Full P/N.: TGS CFMA 10.7M A5 T LF