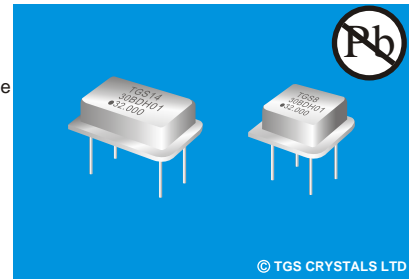


## FEATURES

- Wide Frequency Range
- Low Cost
- Available Gull Wing SMD Version
- 2 Holder Type 14Pin & 8Pin
- Supply Voltage in 3.0V & 5.0V
- Lead Free available
- Available in Tristate(Control via pin 1) & Industry Standard Device

## APPLICATIONS

- IT Applications
- Data Communications
- Telecommunications
- Automotive Electronics



## SPECIFICATION \*

Parameters	Product	Option Code
	Oscillators	CO
Frequency Range:	500KHz~155MHz	△ Specify
Dimensions:	14Pin: 20.8X13.2X5.08mm	△ 14
	8Pin: 13.2X13.2X5.08mm	△ 8
Supply Voltage(V <sub>DD</sub> ):	+3.0V dc±10%	△ 3
	+5.0V dc±10%	△ 5
Enable/Disable Function:	N/A	△ 0
	Tristate(Control via pin 1)	△ 1
Frequency Stability:	±25ppm	△ A
	±50ppm	△ B
	±100ppm	▲ C
Operating Temp. Range:	0°C~+70°C	▲ D
	-10°C~+60°C	△ E
	-20°C~+70°C	△ F
	-40°C~+85°C	△ G
Storage Temp. Range:	-40°C~+85°C	▲
Symmetry:	40:60	△ H
	45:55	△ I
Supply Current (Max.):	See Table 1	▲
Start up Time:	10 ms Max.	▲
Rise/Fall time:	10nS (below 25MHz)	▲
	6ns (25~70MHz)	▲
	4nS (over~70MHz)	▲
Output Voltage:	0 level=0.5V(10% V <sub>DD</sub> ) Max.(5.0V)	▲
	1 level=4.5V(90%V <sub>DD</sub> ) Min.(5.0V)	▲
	0 level=0.5V Max.(3.0V)	▲
	1 level=2.4V Min.(3.0V)	▲
Output Load:	1-10TTL//15PF	▲ 01
	1-10TTL	△ 02
	HCMOS 15pF	△ 03
	HCMOS 30pF	△ 04
	HCMOS 50pF	△ 05
Aging:	±5ppm Max.	▲
Package:	Tube	▲
Other Values:	Lead Free	△ LF

▲ Standard \* Specifications Subject to Change Without Notice  
 △ Optional: please specify required code when inquiring or ordering

## ENABLE/DISABLE FUNCTION

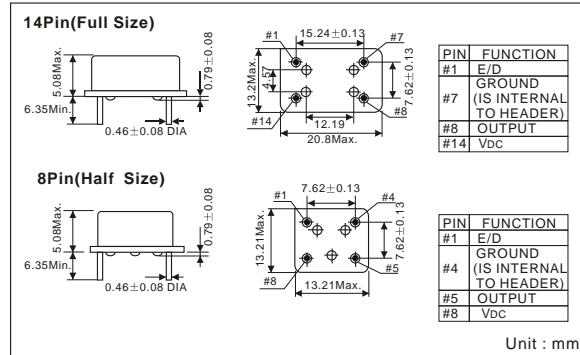
Input (Pin1)	Output (Pin 5 or pin 8)
Open	Enabled
1 Level	Enabled
0 Level	High Impedance

## PART NUMBER GUIDE

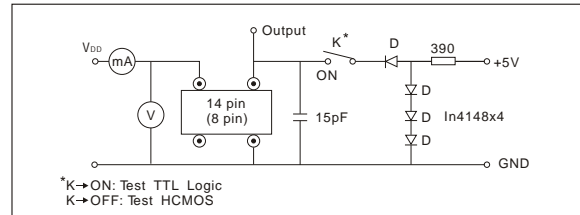
TGS	CO	14	3	0	B	D	H	01	-32M000
Mark	Crystal Oscillators	Dimensions	Supply Voltage	Enable/Disable Function 0: N/A 1: Tristate(Control via pin 1)	Freq. Stability	Operating Temp. Range	Symmetry	Output Load	Frequency Range

e.g. Full P/N.: TGS CO1430BDH01-32M00

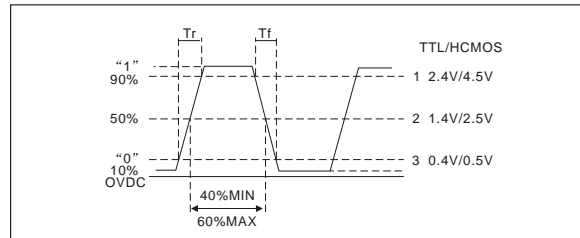
## DIMENSIONS



## CIRCUIT PRINTCIPLE



## OUTPUT WAVE FORM



## SUPPLY CURRENT

Table 1

Frequency Range ( MHz)	Supply current .Max (mA)
1.000000~5.000000	8
5.000000~24.000000	10
24.000000~40.000000	15
40.000000~50.000000	18
50.000000~67.000000	22
67.000000~80.000000	28
80.000000~100.000000	35
100.000000~125.000000	40

## PACKAGE

●Standard package inTube: 20pcs/Tube for 14Pin, 33pcs/Tube for 8Pin