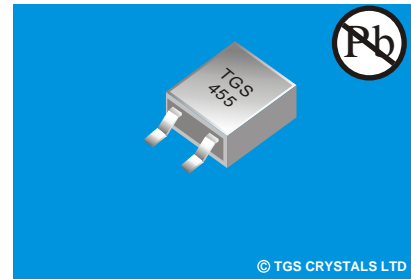


## FEATURES

- KHz Band
- Ex-stock Available
- Good Stability
- SMD Type
- Lead Free available

## APPLICATIONS

- Communications
- Consumer Electronics

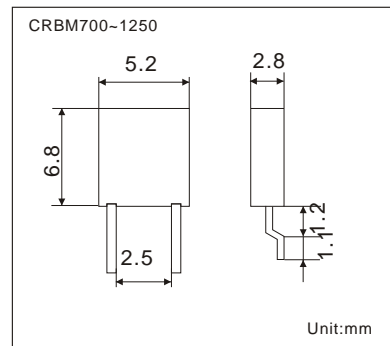
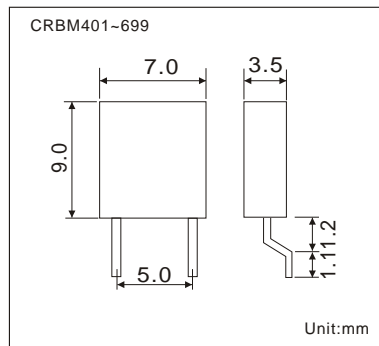
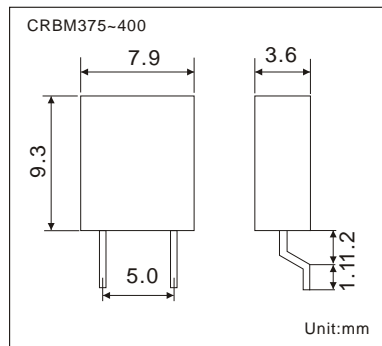


## SPECIFICATION \*

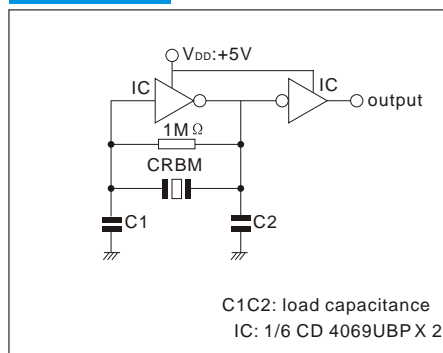
Part Number	Frequency Range (KHz)	Frequency Accuracy(%)	Frequency Stability Temperature (-20°C~+80°C)	Aging Rate (for 10 Years)	Resonant Resistance (Ω)Max.	Load Capacitance		Package
						C1 (pF)	C2 (pF)	
CRBM□□□□	375-429	±0.5	±0.3%	±0.5%	20	120	470	Tape/Reel
CRBM□□□□	430-509	±0.5	±0.3%	±0.5%	20	100	100	
CRBM□□□□	510-699	±0.5	±0.3%	±0.5%	30	100	100	
CRBM□□□□	700-900	±0.5	±0.3%	±0.5%	50	100	100	
CRBM□□□□	901-1000	±0.5	±0.3%	±0.5%	70	100	100	
CRBM□□□□	1001-1250	±0.5	±0.3%	±0.5%	10	100	100	

\* Specifications Subject to Change Without Notice    □ Please specify frequency Range

## DIMENSIONS



## TEST CIRCUIT



## PACKAGE

- Standard package in T/R: 1000pcs/Reel, 2Reel/inner box, 5 box/carton
- See page 91 for detail dimensions

## PART NUMBER GUIDE

TGS	CR	B	M	455	T	LF
Mark	Ceramic Resonator	KHz Band Series	SMD Type	Frequency Range	package	Lead Free

e.g. Full P/N.: TGS CRBM 455 T LF