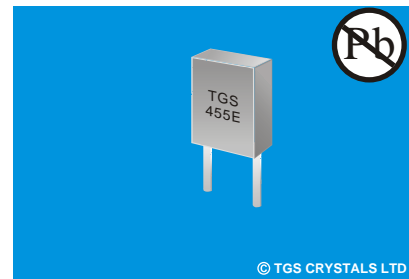


## FEATURES

- KHz Band
- Ex-stock Available
- Good Stability
- Lead Free available

## APPLICATIONS

- Communications
- Consumer Electronics



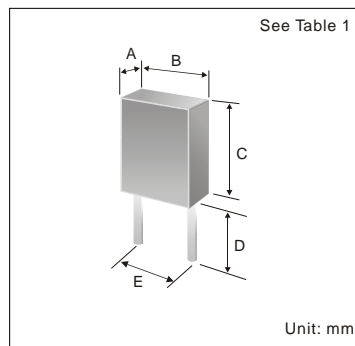
## SPECIFICATION \*

Table 1

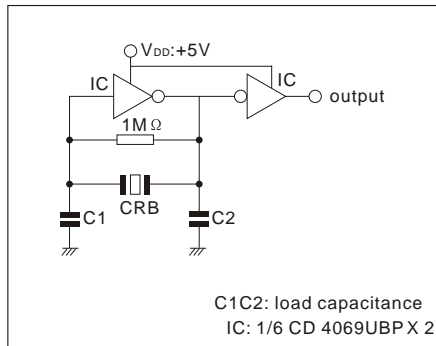
Part Number	Frequency Range (KHz)	Frequency Tolerance (at 25°C)	Frequency Stability Temperature (-20°C~+80°C)	Aging Rate (for 10 Years)	Resonant Resistance (Ω)Max.	C1 (pF)	C2 (pF)	Dimensions (Tolerance: ±0.3mm)				
								A	B	C	D	E
CRBA□□□D	190~249	±1.0KHz	±0.3%	±0.5%	20	330	470	3.8	13.5	14.7	8.0	10.0
CRBA□□□D	250~374	±1.0KHz	±0.3%	±0.5%	20	220	470	3.8	11.0	12.2	7.0	7.7
CRBA□□□P	375~429	±2.0KHz	±0.3%	±0.5%	20	120	470	3.6	7.9	9.3	6.0	5.0
CRBA□□□E	430~449	±2.0KHz	±0.3%	±0.5%	20	100	100	3.6	7.9	9.3	5.0	5.0
CRBA□□□E	450~509	±2.0KHz	±0.3%	±0.5%	20	100	100	3.5	7.0	9.0	5.0	5.0
CRBA□□□P	510~699	±2.0KHz	±0.3%	±0.5%	35	100	100	3.5	7.0	9.0	5.0	5.0
CRBA□□□J	700~999	±0.5%	±0.3%	±0.5%	70	100	100	2.2	5.0	6.0	3.5	2.5
CRBA□□□MJ	1000~1250	±0.5%	±0.3%	±0.5%	100	100	100	2.2	5.0	6.0	3.5	2.5

\* Specifications Subject to Change Without Notice □ Please specify frequency Range

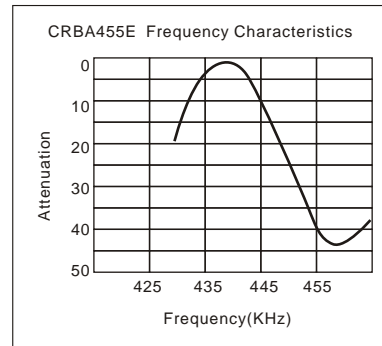
## DIMENSIONS



## TEST CIRCUIT



## CHARACTERISTICS



## PACKAGE

- Standard package in bulk: 500pcs/bag, 10 bags/inner box, 10 box/carton

## PART NUMBER GUIDE

TGS	CR	B	A	455	E	B	LF
Mark	Ceramic Resonator	KHz Band Series	Type A	Freq. Range	Grade	Bulk	Lead Free

e.g. Full P/N.: TGS CRBA 455E B LF