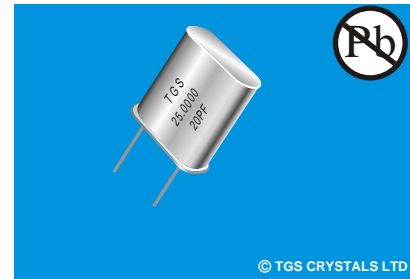


FEATURES

- Resistance Weld ● Lead Free available
- Offer Fitted Insulators
- Tight Tolerance and Stability over Temperature

APPLICATIONS

- Microprocessor Systems ● Data Communications
- Consumer Electronics ● Automotive Electronics



SPECIFICATION *

Parameters	Product	Option Code
	C50U	C50U
Frequency Range: 20.00~80.00MHz	△	Specify
Oscillation Mode: AT Fund.(20~25MHz) 3rd OT.(25.1~80MHz)	△	A
	△	C
Frequency Tolerance:	±10ppm	△
	±20ppm	△
	±30ppm	△
	±50ppm	▲
	Other Values	△
Load Capacitance:	16pF	△
	18pF	△
	20pF	▲
	30pF	△
	Series Resonant Other Values	△
Frequency Stability:	±10ppm	△
	±20ppm	△
	±30ppm	△
	±50ppm	▲
	Other Values	△
Operating Temp. Range:	0℃~+50℃	△
	-10℃~+60℃	▲
	-20℃~+70℃	△
	-40℃~+85℃	△
	Other Values	△
Storage Temp. Range: -40℃~+85℃	▲	
Equivalent Series Resistance (ESR): 50 ohm Max.: 20.000 ~ 39.999MHz 40 ohm Max.: 40.000 ~ 80.000MHz Other Values	△	50
	△	40
	△	Specify
Drive Level: 1000 uW Max.	▲	
Shunt Capacitance (C0): 7.0 pF Max.	▲	
Aging: ±5ppm Max.	▲	
Package: Bulk	△	B
Other Values: Fitted Insulating Washer Lead Free	△	W
	△	LF

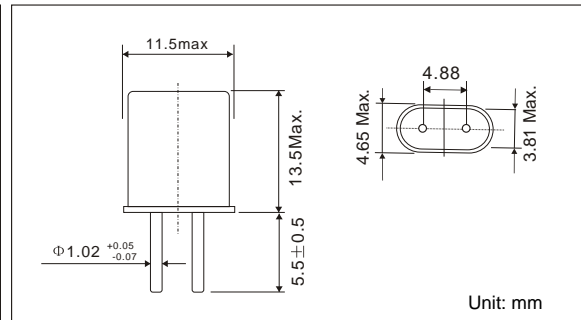
▲ Standard * Specifications Subject to Change Without Notice
△ Optional: please specify required code when inquiring or ordering

PARTNUMBER GUIDE

TGS	C	50U	25M0	A	50	- 20	- 50	-10	- 50	- B	W
Mark	Quartz Crystals	50U	Freq. Range	Oscillation Mode	Freq. Tolerance	Load Capacitance	Freq. Stability	Operating Temp. Range	ESR	Package	Other Values

e.g. Full P/N.: TGS C 50U 25M0A50-20-50-10-50 B W
Short P/N.: C 50U 25M0A20 B W (Others is standard Spec.)

DIMENSIONS



STANDARD FREQUENCIES

Frequency in MHz			
20.00000	27.00000	32.76800	40.50000
20.48000	27.09500	33.00000	40.68500
20.94500	27.12000	33.86880	44.56000
21.48000	27.12500	34.92200	48.00000
22.11840	27.14500	35.25120	49.86000
23.04000	27.19500	35.32800	50.00000
24.00000	27.22500	36.00000	52.41600
24.00014	28.00000	36.86400	56.44800
24.57600	28.32200	40.00000	60.00000
25.00000	29.49120	40.03500	64.00000
26.601712	30.00000	40.21000	75.00000
26.94500	32.00000	40.24000	80.00000
26.99500	32.25600	40.32000	

PACKAGE

- Standard package in bulk: 50pcs/bag, 10 bags/inner box, 10 boxes/carton