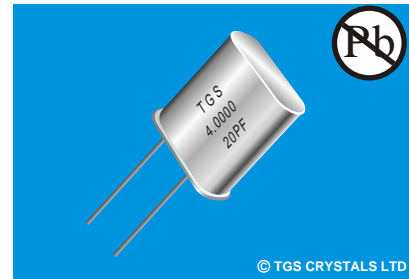


FEATURES

- Resistance Weld ● Lead Free available
- Tight Tolerance and Stability over Temperature
- Offer Fitted Insulators, Cropped Lead

APPLICATIONS

- Microprocessor Systems ● Data Communications
- Consumer Electronics ● Automotive Electronics



SPECIFICATION *

Parameters	Product	Option Code
	C51U	C51U
Frequency Range: 850KHz~25.00MHz	△	Specify
Oscillation Mode: AT Fund.(850KHz~25MHz)	△	A
Frequency Tolerance:	±20ppm	△ 20
	±30ppm	△ 30
	±50ppm	▲ 50
	Other Values	△ Specify
Load Capacitance:	16pF	△ 16
	20pF	▲ 20
	30pF	△ 30
	Series Resonant	△ S
	Other Values	△ Specify
Frequency Stability:	±20ppm	△ 20
	±30ppm	△ 30
	±50ppm	▲ 50
	Other Values	△ Specify
Operating Temp. Range:	-25℃~+55℃	▲ 25
	-40℃~+70℃	△ 40
	-55℃~+85℃	△ 55
	Other Values	△ Specify
Storage Temp. Range: -55℃~+85℃	▲	
Equivalent Series Resistance (ESR):	700 ohm Max.: 850KHz~999.0KHz	△ 700
	650 ohm Max.: 1.00MHz~9.999MHz	△ 650
	300 ohm Max.: 10.00MHz~25.000MHz	△ 300
	Other Values	△ Specify
Drive Level: 1000uW Max	▲	
Aging: ±5ppm Max.	▲	
Package: Bulk	△	B
Other Values:	Leads Cropped to 4.0mm	△ L4.0
	Fitted Insulating Washer	△ W
	Lead Free	△ LF

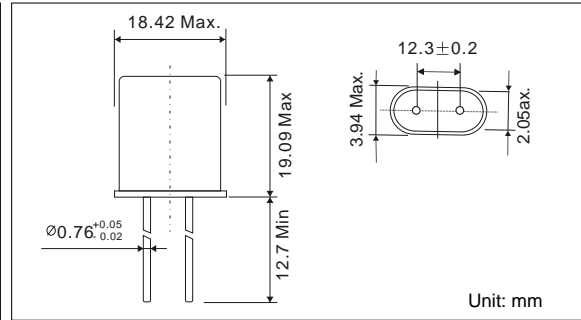
▲ Standard * Specifications Subject to Change Without Notice
 △ Optional: please specify required code when inquiring or ordering

PARTNUMBER GUIDE

TGS	C	51U	1M048576	A	50	- 20	- 50	-25	- 650	- B	W
Mark	Quartz Crystals	51U	Freq. Range	Oscillation Mode	Freq. Tolerance	Load Capacitance	Freq. Stability	Operating Temp. Range	ESR	Package	Other Values

e.g. Full P/N.: TGS C 51U 1M048576A50-20-50-25-650 B W
 Short P/N.: C 51U 1M048576A20 B W (Others is standard Spec.)

DIMENSIONS



PACKAGE

- Standard package in bulk: 50pcs/bag, 10 bags/inner box, 10 boxes/carton