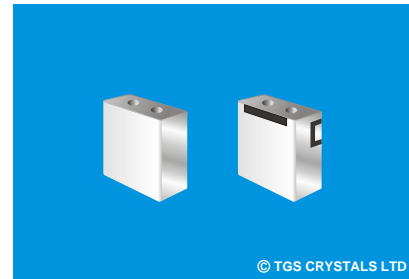


FEATURES

- Wide Frequency Range
- Very Low Insertion Loss

APPLICATIONS

- Microprocessor Systems
- Data Communications
- Consumer Electronics
- Automotive Electronics



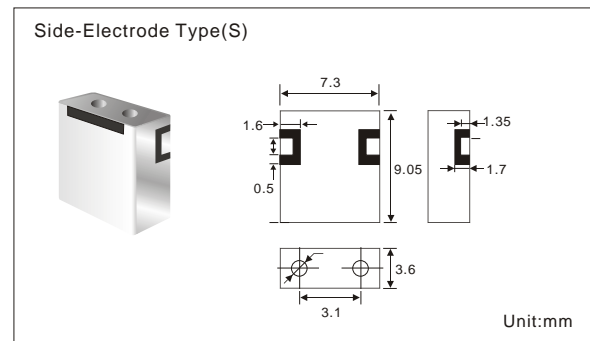
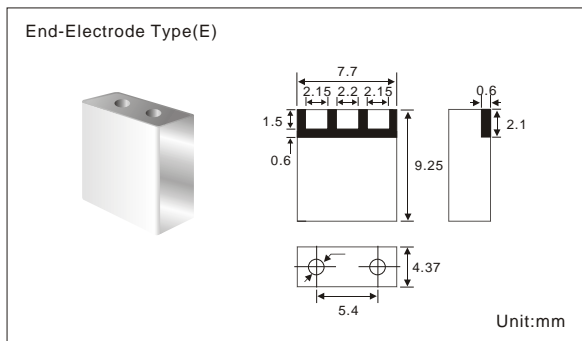
© TGS CRYSTALS LTD

SPECIFICATION *

Part Number	Center Frequency (MHz)	Passband (MHz)	Insertion Loss Within Passband (dB Max.)	Attenuation (dB Min.)	Operating Temperature (°C)
DF2C820P20E/S	820.0	20	2.0	20(940MHz~960MHz)	-30~+85
DF2C836P25E/S	836.5	25	2.6	6.5(869MHz~894MHz)	
DF2C841P04E/S	841.0	4	3.0	38(fo-150MHz)	
DF2C866P04E/S	866.0	4	3.0	38(fo-150MHz)	
DF2C882P25E/S	881.5	25	2.6	9(940MHz~960MHz)	
DF2C886P02E/S	886.0	2	3.0	24(fo-44MHz)	
DF2C903P25E/S	902.5	25	2.6	27(fo-77.5MHz)	
DF2C903P02E/S	903.0	2	3.0	20(fo+22MHz)	
DF2C904P03AE/S	903.75	2.7	3.0	23(924.9MHz) 30(fo+70MHz) 20(fo-70MHz)	
DF2C904P03D E/S	903.75	2.7	3.0	23(924.9MHz~927.6MHz)	
DF2C912P04A E/S	912.0	4	3.0	38(fo-150MHz)	
DF2C912P04B E/S	912.0	4	2.0	50(fo-150MHz)	
DF2C914P01 E/S	914.5	1	3.0	24(fo-44MHz)	
DF2C915P26 E/S	915.0	26	2.5	27(fo-77.5MHz)	
DF2C926P03A E/S	926.25	2.7	3.0	23(905.1MHz) 20(fo+70MHz) 27(fo-70MHz)	
DF2C926P03D E/S	926.25	2.7	2.6	23(942.4MHz~905.1MHz)	
DF2C927P02 E/S	927.0	2	3.0	15(fo-22MHz)	
DF2C931P02 E/S	931.0	2	3.0	24(fo-44MHz)	
DF2C948P25 E/S	947.5	25	2.6	27(fo-77.5MHz)	
DF2C960P01 E/S	959.5	1	3.0	30(fo+44MHz)	

* Specifications Subject to Change Without Notice

DIMENSIONS



PACKAGE

- Standard package in T/R: 3000pcs/Reel, 2Reel/box, 5box/Carton
- See page 95 for detail dimensions

PARTNUMBER GUIDE

TGS	DF	2	C	926	P	03	A	E
Mark	Dielectric Filter	No. of Hole	SMD Type	Freq. Range	Passband Type	Band width	Grade	E: End-electrode Type S: Side-electrode Type

e.g. Full P/N.: TGS DF 2 C 926 P 03 A E