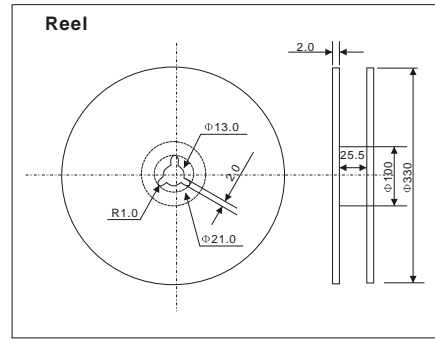
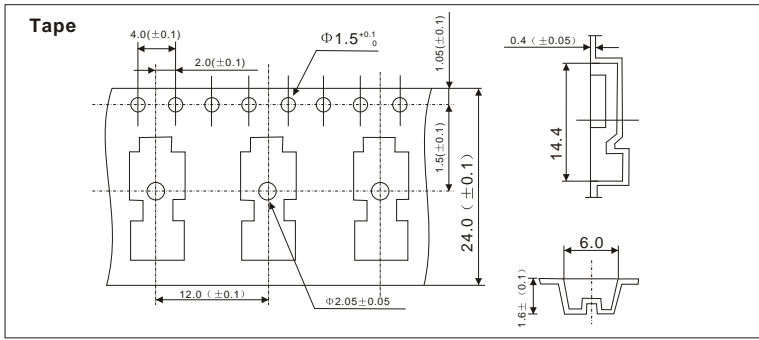
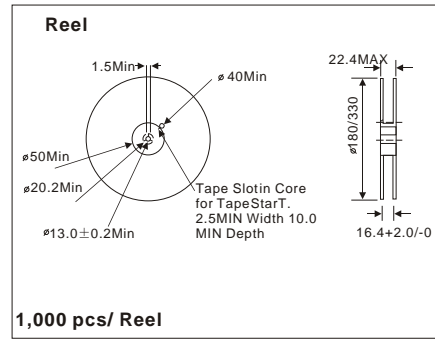
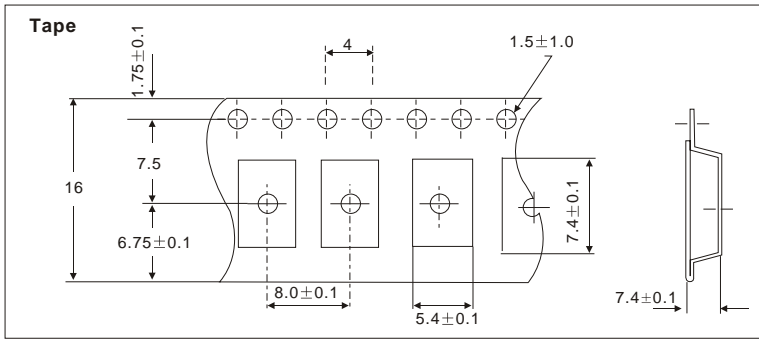


TAPE & REEL DIMENSIONS (UNIT: MM)

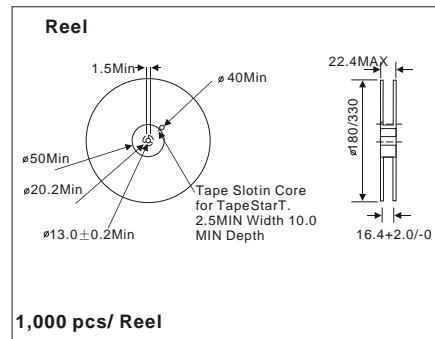
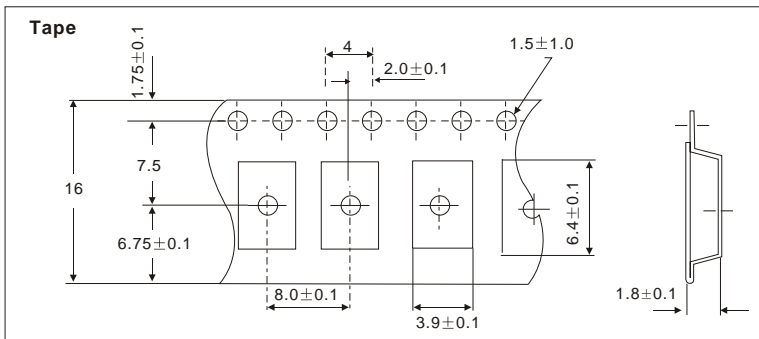
TAPE/REEL DIMENSIONS FOR CCMF, CCMG, CCMH



TAPE/REEL DIMENSIONS FOR COM75



TAPE/REEL DIMENSIONS FOR VM75



TAPE/REEL DIMENSIONS FOR VTM75

