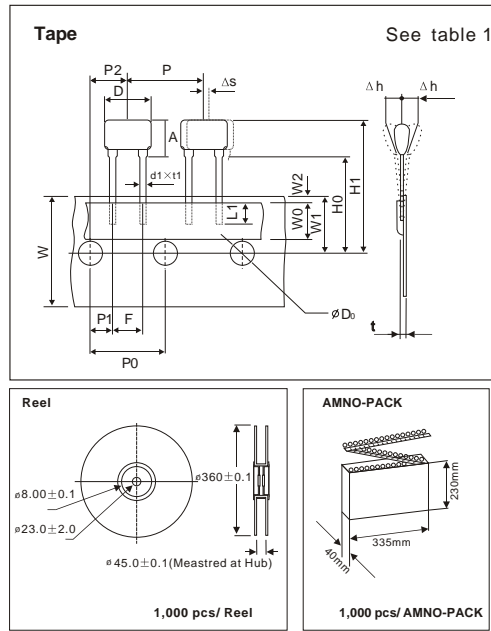


TAPE & REEL DIMENSIONS (UNIT: MM)

TAPE DIMENSIONS FOR CRA

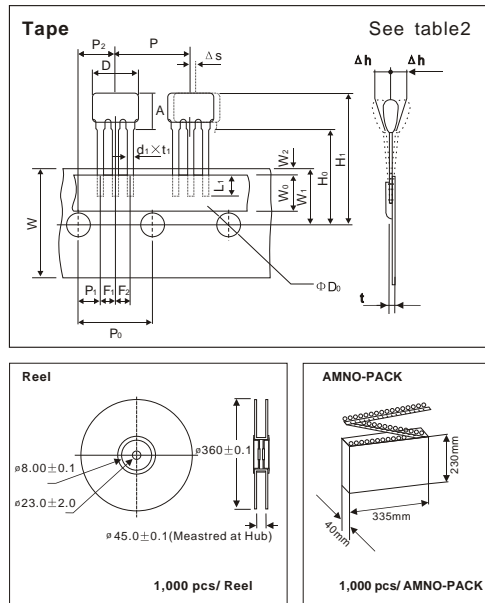
Table 1



Item	Code	Dimension
Body Diameter	D	10.0 Max.
Body Height	A	9.0 Max.
Lead Dimensions	d1 x t1	0.5 x 0.3(±0.1)
Portion to Cut In Case of Defect	L1	5.0 Min.
Pitch of Component	P	12.7 ± 0.5
Pitch of Sprocket Hole	P0	12.7 ± 0.2 (10 x P0 = 127 ± 1)
Length from Hole Centre to Lead	P1	3.85 ± 0.5
Length from Hole Centre to Component Centre	P2	6.35 ± 0.5
Lead Spacing	F	5.0 ± 0.2
Deviation across Tape	Δh	0 ± 1.0
Carrier Tape Width	W	18.0 ± 0.5
Hold-down Tape Width	W0	6.0 Min.
Position of Sprocket Hole	W1	9.0 ± 0.5
Hold-down Tape Width	W2	0(+0.5,-0)
Lead Distance between Reference and Bottom Planes	H0	18.0 ± 0.5
Distance Between Reference	H1	26.0 Max.(MG)
		28.5 Max.(MT,MX)
Diameter of Sprocket Hole	D0	∅ 4.0 ± 0.2
Total Tape Thickness	t	0.6 ± 0.2
Deviation across Body Centre	Δs	0 ± 0.1

TAPE DIMENSIONS FOR CRT

Table 2



Item	Code	Dimension
Body Diameter	D	10.0 Max.
Body Height	A	9.0 Max.
Lead Dimensions	D1 X t1	0.5x0.3(±0.1)
Portion to Cut In Case of Defect	L1	5.0 Min.
Pitch of Component	P	12.7 ± 0.5
Pitch of Sprocket Hole	P0	12.7 ± 0.2 (10 X P0=127 ± 1)
Length from Hole Centre to Lead	P1	3.85 ± 0.5
Length from Hole Centre to Component Centre	P2	6.35 ± 0.5
Lead Spacing	F1/F2	2.5 ± 0.2
Deviation across Tape	Δh	0 ± 1.0
Carrier Tape Width	W	18.0 ± 0.5
Hold-down Tape Width	W0	6.0 Min.
Position of Sprocket Hole	W1	9.0 ± 0.5
Hold-down Tape Width	W2	0(+0.5,-0)
Lead Distance between Reference and Bottom Planes	H0	18.0 ± 0.5
Distance Between Reference	H1	26.0 Max.(MG)
		28.5 Max.(MT,MX)
Diameter of Sprocket Hole	D0	∅ 4.0 ± 0.2
Total Tape Thickness	t	0.6 ± 0.2
Deviation across Body Centre	Δs	0 ± 0.1