

TAPE & REEL DIMENSIONS (UNIT: MM)

TAPE DIMENSIONS FOR CRBM

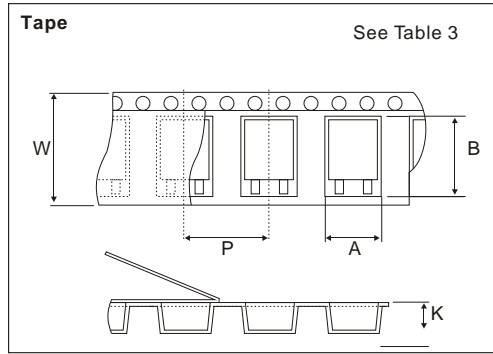


Table 3

Freq. Range (KHz)	375-440	441-699	700-1250
W	24.0	24.0	16.0
P	12.0	12.0	8.0
A	8.4	7.6	6.0
B	12.5	11.9	8.5
K	4.6	4.6	2.8

TAPE/REEL DIMENSIONS FOR CRAC & CRTC

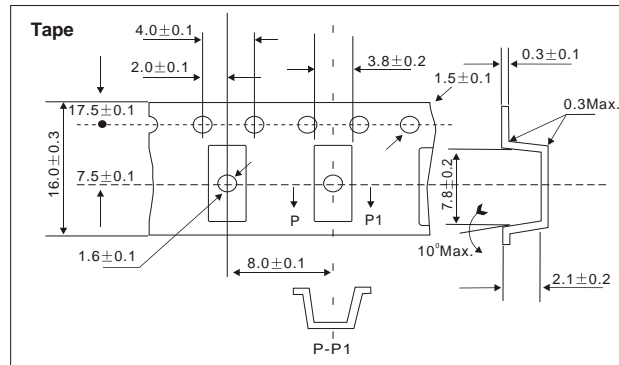
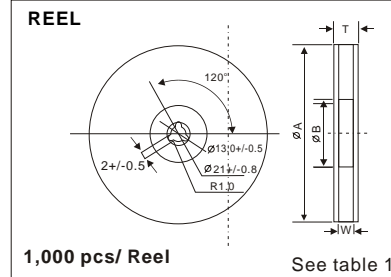
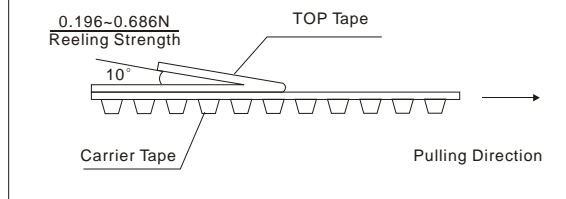


Table 1

∅A	∅B	W	T	Pieces per reel	Carrier tape size
179±2	60Typ.	12.4Min.	19.4Max.	1000typ.	12
179±2	60Typ.	16.4Min.	22.4Max.	1000typ.	16
330±3	80Min.	12.4Min.	19.4Max.	4000typ.	12
330±3	80Min.	16.4Min.	22.4Max.	4000typ.	16

TEST CONDITION OF REELING STRENGTH



TAPE/REEL DIMENSIONS FOR CRAS & CRTS

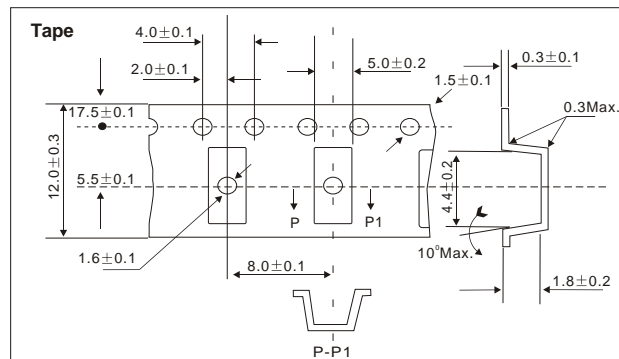


Table 2

∅A	∅B	W	T	Pieces per reel	Carrier tape size
179±2	60Typ.	12.4Min.	19.4Max.	1000typ.	12
179±2	60Typ.	16.4Min.	22.4Max.	1000typ.	16
330±3	80Min.	12.4Min.	19.4Max.	4000typ.	12
330±3	80Min.	16.4Min.	22.4Max.	4000typ.	16

TEST CONDITION OF REELING STRENGTH

