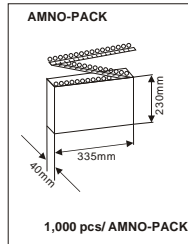
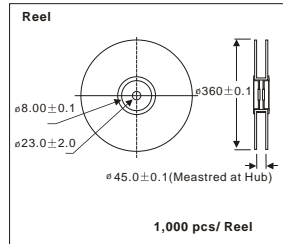
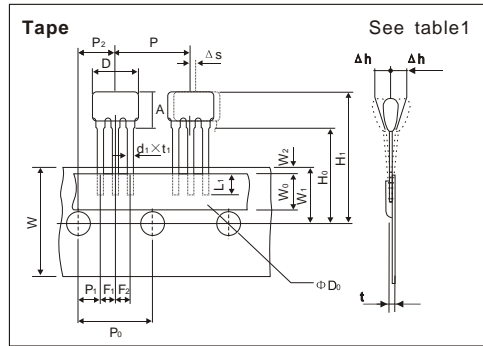


TAPE & REEL DIMENSIONS (UNIT: MM)

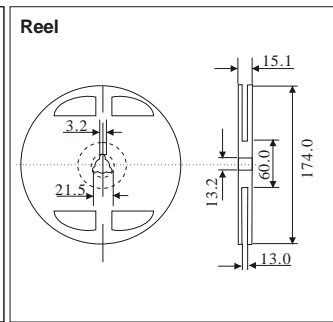
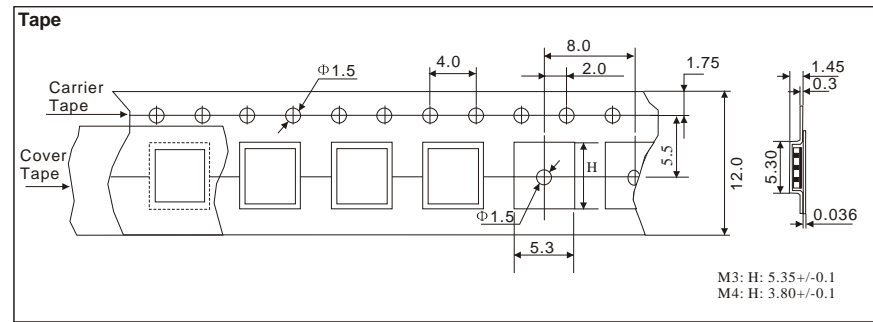
TAPE DIMENSIONS FOR CDA & CDB

Table 1



Item	Code	Dimension
Body Diameter	D	9.0 Max.
Body Height	A	10.0 Max.
Lead Dimensions	D1 X t1	0.5x0.3(±0.1)
Portion to Cut In Case of Defect	L1	5.0 Min.
Pitch of Component	P	12.7±0.5
Pitch of Sprocket Hole	P0	12.7±0.2(10XP0=127±1)
Length from Hole Centre to Lead	P1	3.85±0.5
Length from Hole Centre to Component Centre	P2	6.35±0.5
Lead Spacing	F1/F2	2.5±0.2
Deviation across Tape	Δh	0±1.0
Carrier Tape Width	W	18.0±0.5
Hold-down Tape Width	W0	6.0 Min.
Position of Sprocket Hole	W1	9.0±0.5
Hold-down Tape Width	W2	0(+0.5,-0)
Lead Distance between Reference and Bottom Planes	H0	18.0±0.5
Distance Between Reference	H1	26.0 Max.(MG) 28.5 Max.(MT,MX)
Diameter of Sprocket Hole	D0	∅ 4.0±0.2
Total Tape Thickness	t	0.6±0.2
Deviation across Body Centre	Δs	0±0.1

TAPE/REEL DIMENSIONS FOR M3 & M4



TAPE/REEL DIMENSIONS FOR DF

