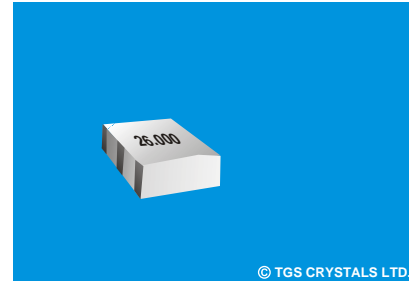


**FEATURES**

- Low Cost
- Dimension: 2.5x2.0x1.2mm
- High Frequency Range
- Without built in capacitor

**APPLICATIONS**

- Consumer Electronics



© TGS CRYSTALS LTD.

**SPECIFICATION \***

Parameters	Product	Option Code
	ZT A	CRA
Dimensions: 2.5X2.0X1.2mm	△	W
Frequency Range: 24.00~50.0MHz	△	Specify
Frequency Accuracy : ±0.5%	▲	
Operating Temp. Range: -20℃~+80℃	▲	
Storage Temp. Range: -40℃~+85℃	▲	
Equivalent Series Resistance (ESR): 50 ohm Max.	▲	
Insulation Resistance : 50Mohm Min.	▲	
Rating Voltage: D. C. Voltage: 6V. D. C. A. C. Voltage: 10Vp-p	▲ ▲	
Withstanding Voltage: DC 100V, 5 seconds. Max.	▲	
Aging (Over 10 years): ±0.5% ppm	▲	
Supply Voltage V <sub>DD</sub> : +5.0V	▲	
Design Mode: Thickness Expander mode(3rd OT)	△	X
Package: Tape/Reel	△	T

▲ Standard \* Specifications Subject to Change Without Notice  
△ Optional: please specify required code when inquiring or ordering

**PACKAGE**

- Standard package in T/R: 4000pcs/Reel, 2 Reel/inner box, 5 box/carton  
Please Contact us for detail dimensions

**STANDARD FREQUENCIES**

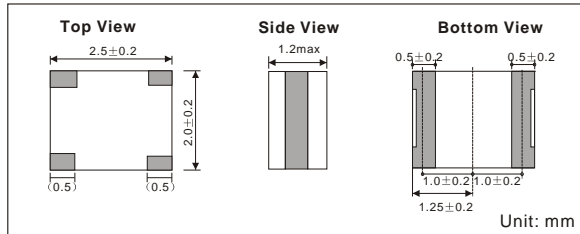
Frequency in MHz			
24.000000	28.000000	33.860000	48.00000
25.000000	30.000000	40.000000	50.00000

**PART NUMBER GUIDE**

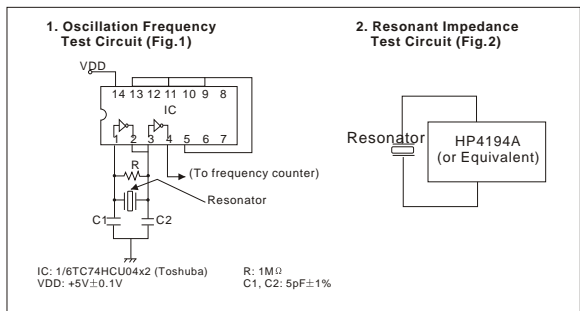
TGS	CR	A	W	40.0M	X	T
Mark	Ceramic Resonator	Without built-in capacitance	Dimensions	Freq. Range	Design Mode	Package

e.g. Full P/N.: TGS CRAW 40.0M X T

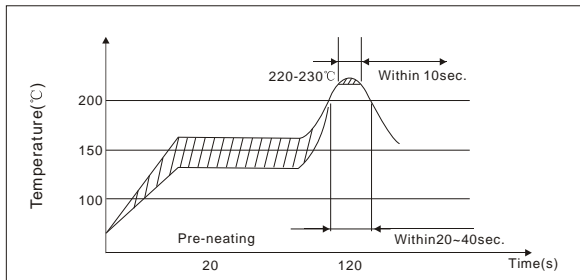
**DIMENSIONS**



**TEST CIRCUIT**



**RECOMMENDED REFLOW SOLDERING STANDARD CONDITIONS**



**RECOMMENDED LAND PATTERN**

