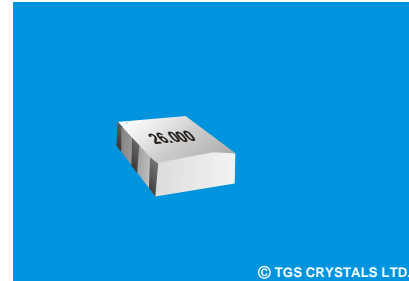


FEATURES

- Low Cost
- SMD Type For 2.5x2.0x1.5mm
- High Frequency Range
- With built in capacitor

APPLICATIONS

- Consumer Electronics



© TGS CRYSTALS LTD.

SPECIFICATION *

Parameters	Product	Option Code
	ZTT	CRT
Dimensions:	2.5X2.0X1.5mm	△ W
Frequency Range:	24.00~50.0MHz	△ Specify
Frequency Accuracy :	±0.5%	▲
Built-in Capacitance (C1,C2):	8pF±20%	▲
Operating Temp. Range:	-20℃~+80℃	▲
Storage Temp. Range:	-40℃~+85℃	▲
Equivalent Series Resistance (ESR):	50 ohm Max.	▲
Insulation Resistance :	50M ohm Min.	▲
Rating Voltage:	D. C. Voltage: 6V. D. C. A. C. Voltage: 10Vp-p	▲
Withstanding Voltage:	DC 100V, 5 seconds. Max.	▲
Ageing (Over 10 years):	±0.5% ppm	▲
Supply Voltage V _{DD} :	+5.0V	▲
Design Mode:	Thickness Expander mode(3rd OT)	△ X
Package:	Tape/Reel	△ T

▲ Standard * Specifications Subject to Change Without Notice
 △ Optional: please specify required code when inquiring or ordering

PACKAGE

- Standard package in T/R: 4000pcs/Reel, 2 Reel/inner box, 5 box/carton
 Please Contact us for detail dimensions

STANDARD FREQUENCIES

Frequency in MHz

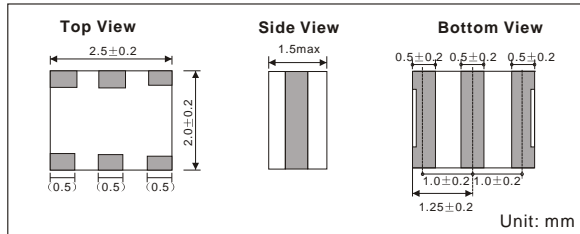
24.000000	28.000000	33.860000	48.00000
25.000000	30.000000	40.000000	50.00000

PART NUMBER GUIDE

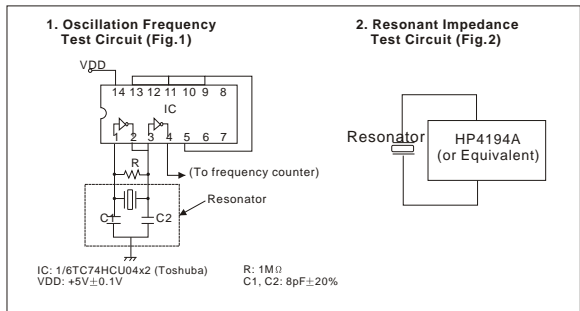
TGS	CR	T	W	33.86M	X	T
Mark	Ceramic Resonator	With built -in capacitance	Dimensions	Freq. Range	Design Mode	Package

e.g. Full P/N.: TGS CRT W 33.86M X T

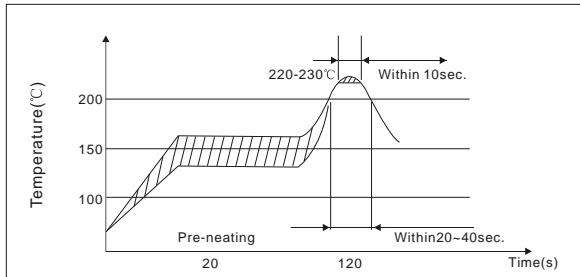
DIMENSIONS



TEST CIRCUIT



RECOMMENDED REFLOW SOLDERING STANDARD CONDITIONS



RECOMMENDED LAND PATTERN

